

Vacuum Gripper MPE

Vacuum Gripper MPE

Suction area(ϕ)40mm to 180mm

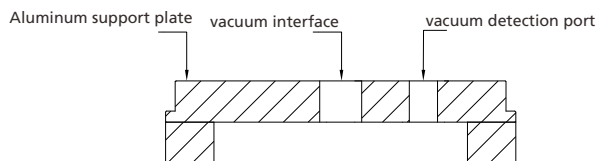
Vacuum gripper MPE



Introduction and application

- ◆ Handling for transporting workpieces with uneven rough surface, such as sawn, beaten by sleeves or burning marble; Textured, non-slip or formed metal plates; Striped plexiglass, cement products, garden tiles with texture, etc.

System design Vacuum gripper MPE



Structure

- ◆ Made of anodized aluminum and self-adhesive sponge.
- ◆ The middle threaded hole is used to fix the side hole for vacuum connection.

Ordering guide of vacuum gripper MPE

Type	suction area [mm]	material and shore hardness	connecting thread
MPE	40 to 180	GERANIUM	G1/4 M12 G3/8

Ordering data of vacuum gripper MPE

Type	ordering data
MPE 40 G1/4	90.02.01.00680
MPE 64 G1/4	90.02.01.00682
MPE 92 G3/8	90.02.01.00684
MPE 127 G3/8	90.02.01.00686
MPE 180 G3/8	90.02.01.00687

Vacuum Gripper MPE



Vacuum Gripper MPE

Suction area(φ)40mm to 180mm



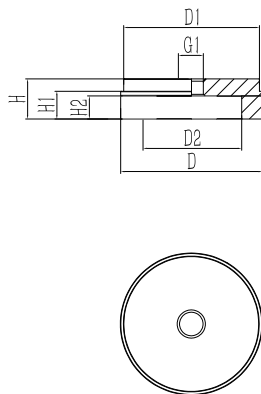
Technical parameter of vacuum gripper MPE

Type	Suction Ds[N]	Internal volume [cm ³]	working temperature [°C]
MPE 40 G1/4	7.8	4.7	-40…80
MPE 64 G1/4	35	18.8	-40…80
MPE 92 G3/8	85	48.2	-40…80
MPE 127 G3/8	175	99.6	-40…80
MPE 180 G3/8	385	230.7	-40…80

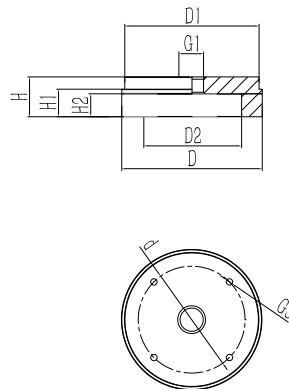


Design parameter of vacuum gripper MPE

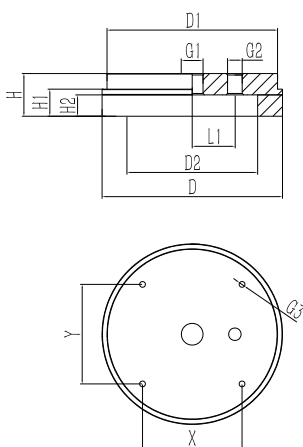
MPE 40



MPE 64 to 92



MPE 127 to 180



Type	Size [mm]												
	D	D1	D2	H	H1	H2	L1	G1	G2	d	X	Y	
MPE 40 G1/4	40	-	20	25	-	15	-	G1/4	-	-	-	-	
MPE 64 G1/4	64	60	40	25	18	15	-	G1/4	-	50	-	-	
MPE 92 G3/8	92	88	64	26	18	15	-	G3/8	-	70	-	-	
MPE 127 G3/8	127	120	92	30	19	15	30	G3/8	G1/8	-	70	70	
MPE 180 G3/8	180	160	140	27	20	15	60	G3/8	G1/8	-	80	80	